



C2P Double Impeller Centrifugal Pumps

Pump Applications

The C2P Series can be used to pump clean water without any abrasive particles or any other liquid with similar properties to water. The C2P series is recommended for residential and industrial water supply applications, agricultural and commercial irrigation systems, air conditioning units, fire systems, water recirculation, and boosting systems.

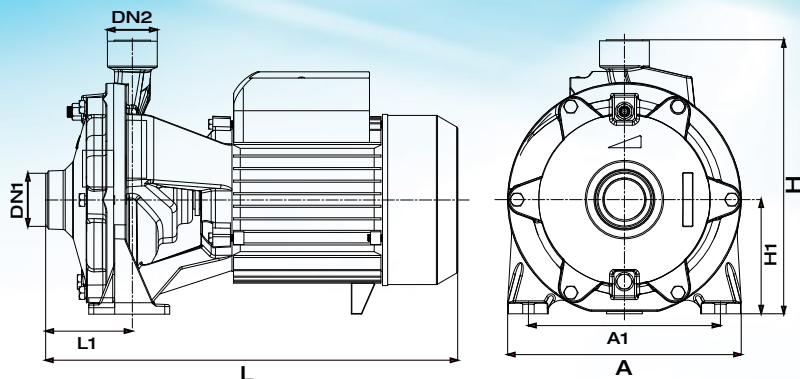
Pump features

- Cast iron pump body
- Aluminum motor bracket
- Brass closed impeller
- Motor shaft in stainless steel AISI 304
- Maximum liquid temperature of 60°C
- Maximum suction lift of 26 feet
- Mechanical seal in ceramic and graphite, with elastomer in NBR



Motor features

- Close-coupled TEFC motor with copper windings
- Insulation class F
- IP 44 protection
- Maximum ambient temperature of 40°C
- Single phase, 60 Hz, 3450 rpm with thermal overload protection
- available in 110 V, 110/220 V, or 220 V
- Three phase, 60 Hz, 3450 rpm, 220/440 V
- 50 Hz or other voltages available upon special request



Pump dimensions

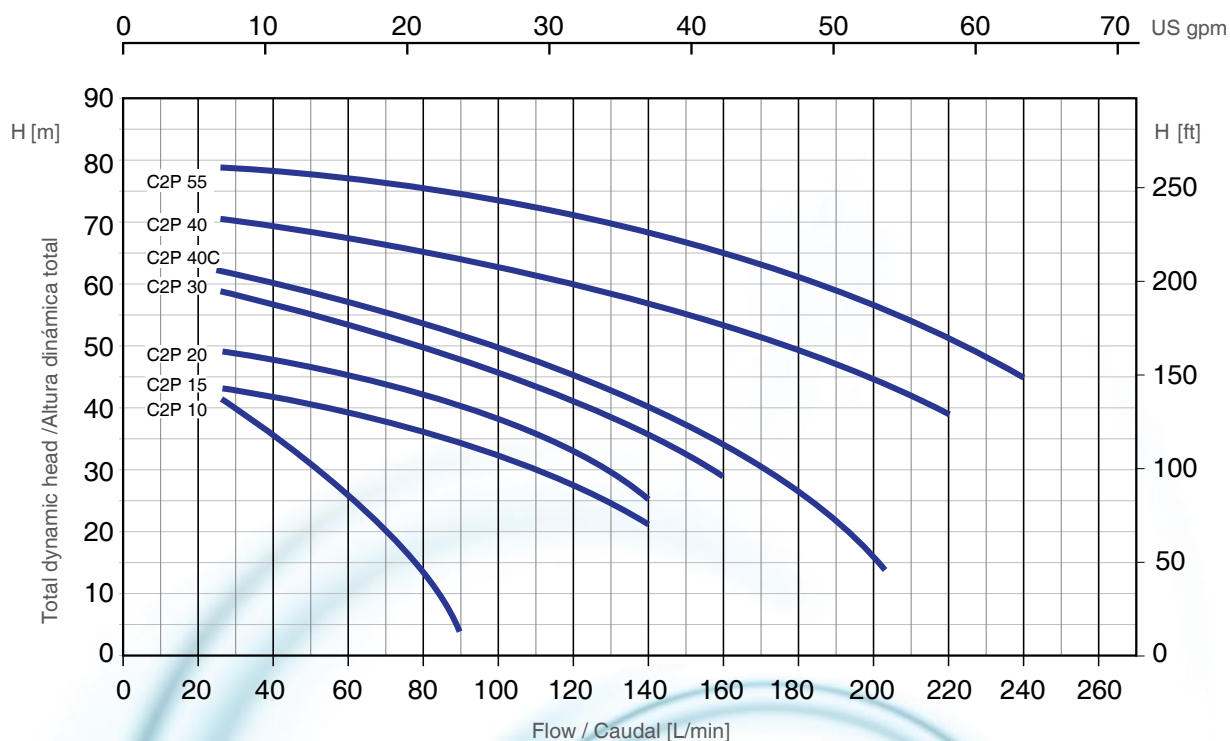
MODEL	PH	DIMENSIONS							
		DN1	DN2	L [mm]	A [mm]	H [mm]	L1 [mm]	A1 [mm]	H1 [mm]
C2P 10	3	1 1/4"	1"	336	181	231	72	145	100
C2P 15	1 / 3	1 1/2"	1"	379	200	225	71	162	93
C2P 20	1 / 3	1 1/2"	1"	400	225	262	80	185	112
C2P 30	1 / 3	1 1/2"	1"	400	225	262	80	185	112
C2P 40	3	1 1/2"	1 1/4"	480	281	311	63	234	132
C2P 55	3	1 1/2"	1 1/4"	480	281	311	63	234	132



Brass Impeller

Above Ground Pumps C2P Series

Curve and Performance Data



Performance Data

MODEL	POWER		FLOW													
	kW	HP	m³/hr	1.2	2.4	3.6	4.8	6.0	7.2	8.4	9.6	10.8	12.0	13.2	14.4	
			l/min	0	20	40	60	80	100	120	140	160	180	200	220	240
TOTAL MANOMETRIC HEIGHT IN METERS																
C2P 10	0.75	1	47	42	35	27	14									
C2P 15	1.1	1.5	45	43	42	39	37	33	27	21						
C2P 20	1.5	2	50	49	48	45	42	38	33	25						
C2P 30	2.2	3	60	59	57	54	50	46	41	36	29					
C2P 40C	3	4	65	62	60	57	53	50	46	40	34	26	16	4		
C2P 40	3	4	72	71	69	67	65	62	60	57	53	49	45	39		
C2P 55	4	5.5	80	79	78	77	75	74	71	68	65	61	56	51	45	

Packaging Information

MODEL	DIMENSIONS			WEIGHT
	L [mm]	A [mm]	H [mm]	kg
C2P 10	396	218	269	15.5
C2P 15	430	235	275	21
C2P 20	445	255	300	27.5
C2P 30	445	255	300	28
C2P 40C	542	330	346	51.5
C2P 40	542	330	346	51.5
C2P 55	542	330	346	52.4

