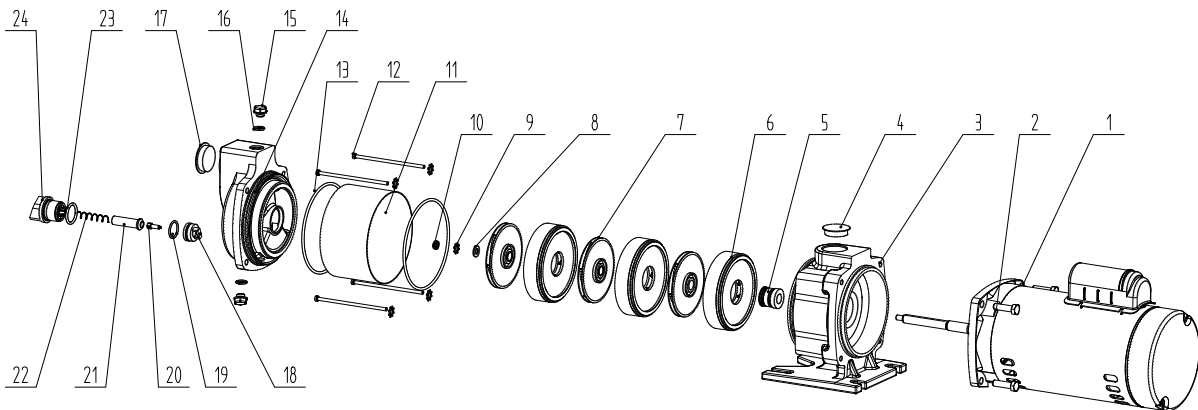




Parts Designation RAGNAR 20C16S

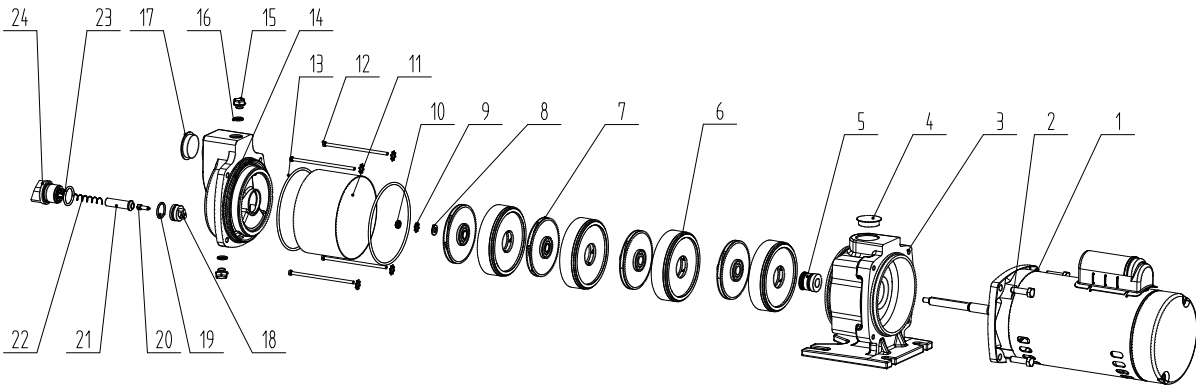


1	P107010060	Motor
2	M103053030	M10X35 hexagon head stainless steel bolt
3	N203010040	Multistage pump seat
4	N202040020	1.25 inch NPT plastic plug
5	H402051010	O158 Mechanical seal
6	N204030090	Diffuser
7	N204040240	Impeller
8	M401023020	Stainless steel flat pad
9	M401023030	M8 stainless steel outer tooth chrysanthemum gasket
10	M302023010	M8 stainless steel lock nut
11	N205020010	Stainless steel outer cylinder
12	M103093020	Hexagon ehad stainless steel bolt

13	N202010110	O-ring
14	N203020080	Pump seat (Pearl)
15	N201011040	Copper plug
16	N202010080	O-ring
17	N202040030	1.5 inch NPT plastic plug
18	N201031130	M28 copper insert
19	N202010090	O-ring
20	N201031120	M4 copper stud
21	N201031110	%C14 copper column
22	N201032020	Spring
23	N202010100	O-ring
24	N204060090	1"NPSM plastic plug



Parts Designation RAGNARH 20C16S



1	P107010070	Motor
2	M103053030	M10X35 hexagon head stainless steel bolt
3	N203010040	Multistage pump seat
4	N202040020	1.25 inch NPT plastic plug
5	H402051010	O158 Mechanical seal
6	N204030090	Diffuser
7	N204040240	Impeller
8	M401023020	Stainless steel flat pad
9	M401023030	M8 stainless steel outer tooth chrysanthemum gasket
10	M302023010	M8 stainless steel lock nut
11	N205020010	Stainless steel outer cylinder
12	M103093020	Hexagon ehad stainless steel bolt

13	N202010110	O-ring
14	N203020080	Pump seat (Pearl)
15	N201011040	Copper plug
16	N202010080	O-ring
17	N202040030	1.5 inch NPT plastic plug
18	N201031130	M28 copper insert
19	N202010090	O-ring
20	N201031120	M4 copper stud
21	N201031110	%C14 copper column
22	N201032020	Spring
23	N202010100	O-ring
24	N204060090	1"NPSM plastic plug