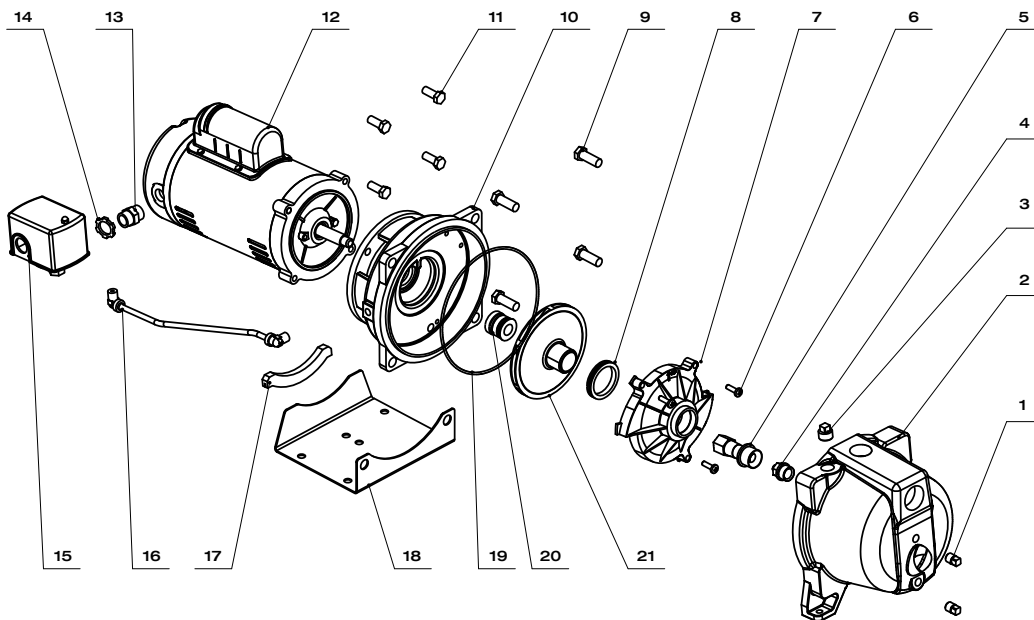


# IRONJET

## Shallow Well Jet Water Pumps



### Parts Designation IRONJ 05



1	N201011010	Pipe Plug - 1/4"NPT
2	N203020030	Pump Body
3	N201011020	1/2"NPT Pipe Plug
4	N204051010	Nozzle
5	N204052010	Venturi
6	M201033021	Pan Head Bolts - M6*20
7	N204030010	Diffuser
8	N202020030	Seal Ring
9	M103063010	Hexagon Bolt - M12x30
10	N203010021	Motor Bracket

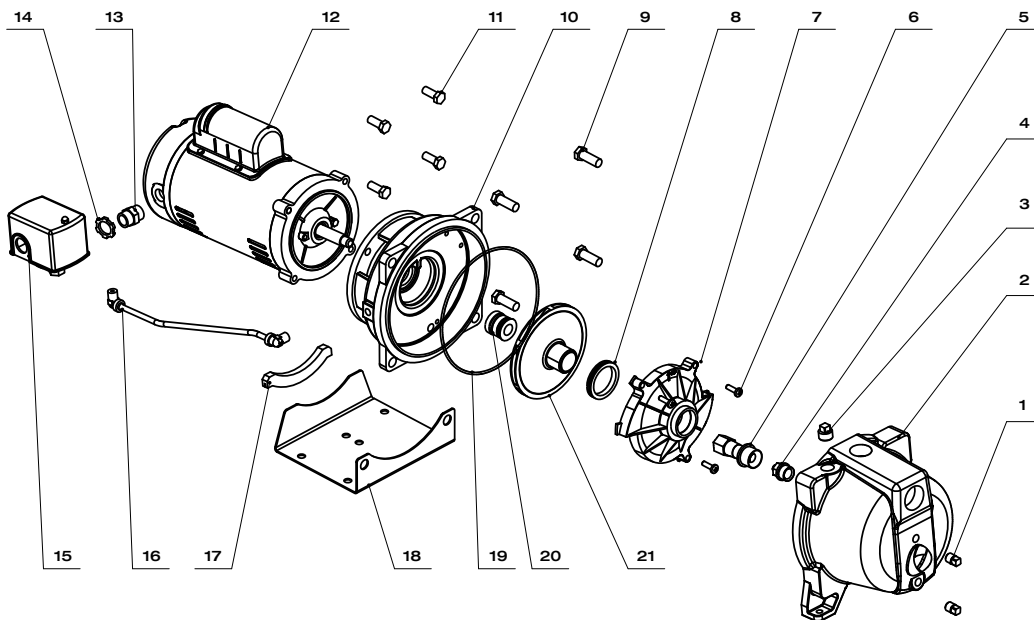
11	M103113020	Hexagon bolt - 3/8-16UNCx22
12	P101012010	Motor
13	N201021010	Threaded joint - 1/2"NPSM
14	M302030010	Nut - 1/2"NPSM
15	N201042020	Pressure Switch/Pearl (20-40PSI)
16	N201061020	Tube Kit - 1/4"NPT
17	N202030020	Gasket
18	N205010020	Pump Base
19	N202010010	Seal Ring
20	H402051010	Mechanical Seal
21	N204040010	Impeller

## IRONJET

Shallow Well Jet Water Pumps



### Parts Designation IRONJH 05



1	N201011010	Pipe Plug - 1/4"NPT
2	N203020030	Pump Body
3	N201011020	1/2"NPT Pipe Plug
4	N204051070	Nozzle
5	N204052120	Venturi
6	M201033021	Pan Head Bolts - M6*20
7	N204030010	Diffuser
8	N202020030	Seal Ring
9	M103063010	Hexagon Bolt - M12x30
10	N203010021	Motor Bracket

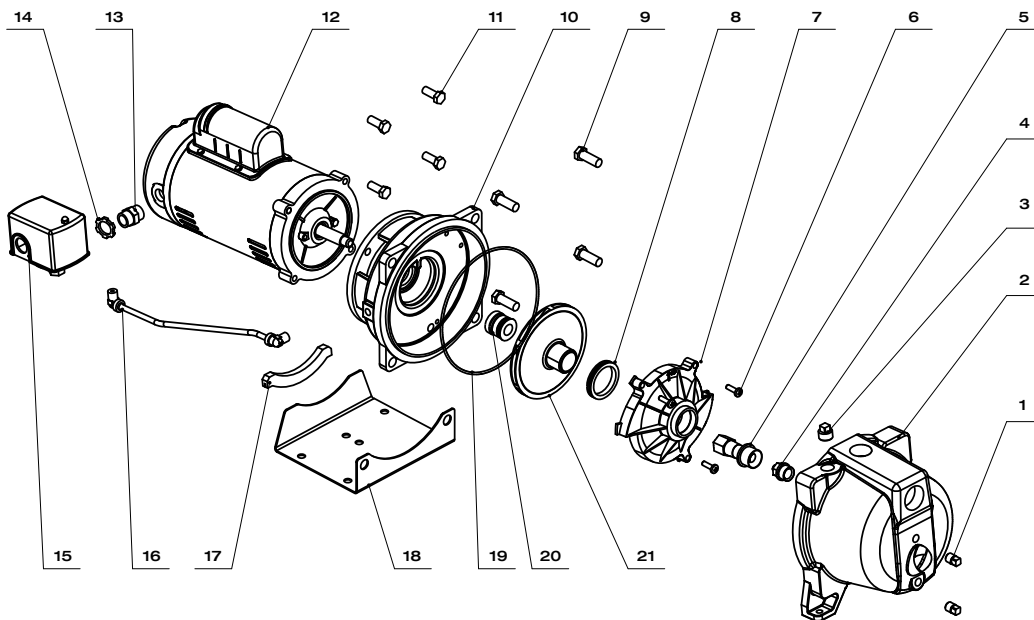
11	M103113020	Hexagon bolt - 3/8-16UNCx22
12	P101012010	Motor
13	N201021010	Threaded joint - 1/2"NPSM
14	M302030010	Nut - 1/2"NPSM
15	N201042020	Pressure Switch/Pearl (30-50PSI)
16	N201061020	Tube Kit - 1/4"NPT
17	N202030020	Gasket
18	N205010020	Pump Base
19	N202010010	Seal Ring
20	H402051010	Mechanical Seal
21	N204040010	Impeller

# IRONJET

## Shallow Well Jet Water Pumps



### Parts Designation IRONJ 07



1	N201011010	Pipe Plug - 1/4"NPT
2	N203020030	Pump Body
3	N201011020	1/2"NPT Pipe Plug
4	N204051050	Nozzle
5	N204052100	Venturi
6	M201033011	Pan Head Bolts - M6*20
7	N204030020	Diffuser
8	N202020030	Seal Ring
9	M103063010	Hexagon Bolt - M12x30
10	N203010021	Motor Bracket

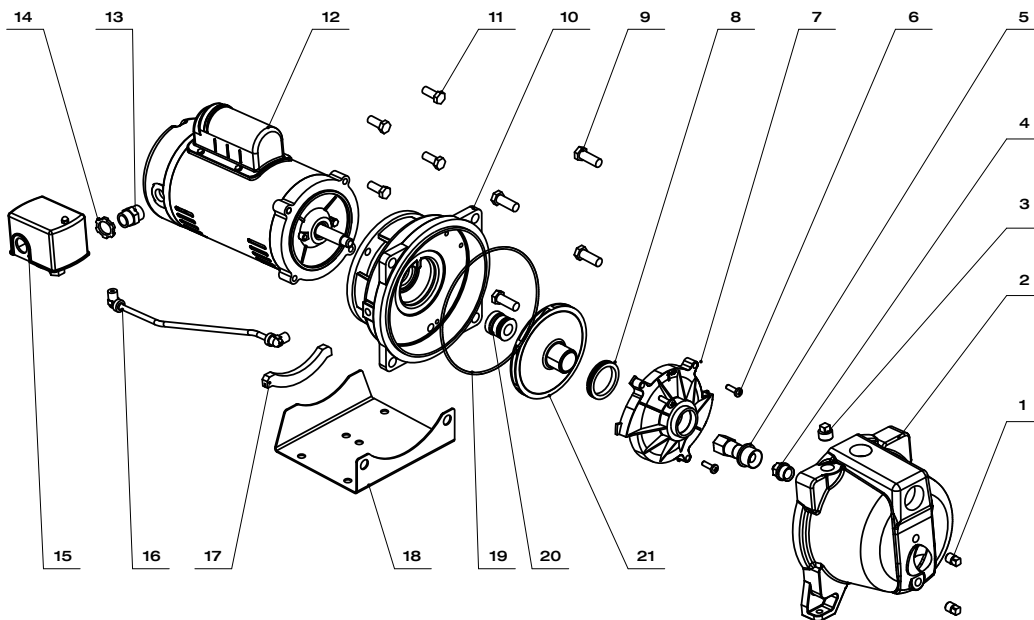
11	M103113020	Hexagon bolt - 3/8-16UNCx22
12	P101012020	Motor
13	N201021010	Threaded joint - 1/2"NPSM
14	M302030010	Nut - 1/2"NPSM
15	N201042021	Pressure Switch/Pearl (30-50PSI)
16	N201061030	Tube Kit - 1/4"NPT
17	N202030020	Gasket
18	N205010020	Pump Base
19	N202010010	Seal Ring
20	H402051010	Mechanical Seal
21	N204040020	Impeller

### IRONJET

Shallow Well Jet Water Pumps



#### Parts Designation IRONJ 10



1	N201011010	Pipe Plug - 1/4"NPT
2	N203020030	Pump Body
3	N201011020	1/2"NPT Pipe Plug
4	N204051050	Nozzle
5	N204052110	Venturi
6	M201033011	Pan Head Bolts - M6*20
7	N204030020	Diffuser
8	N202020030	Seal Ring
9	M103063010	Hexagon Bolt - M12x30
10	N203010021	Motor Bracket

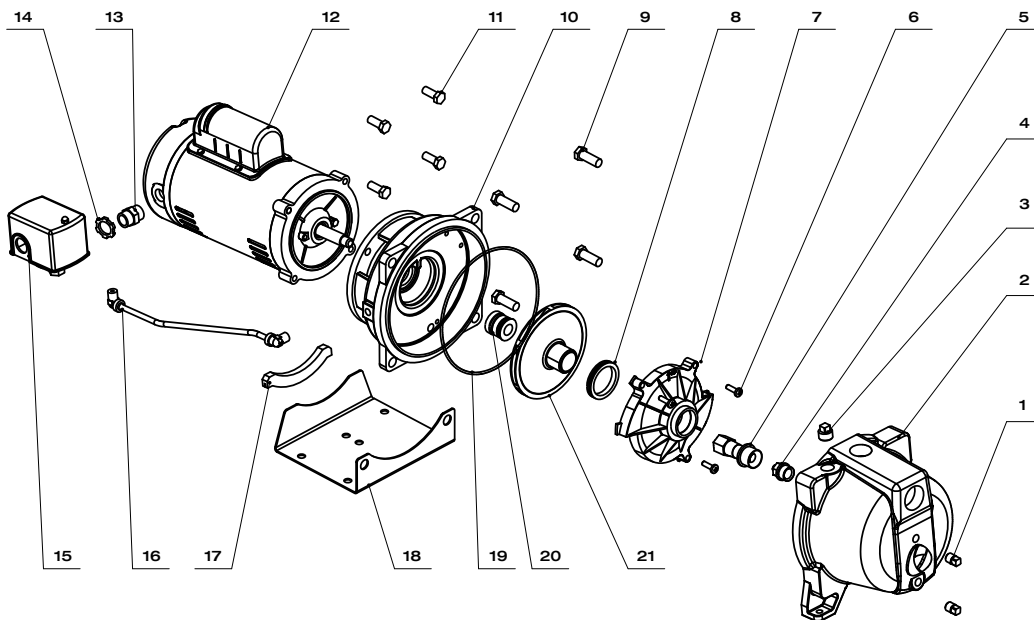
11	M103113020	Hexagon bolt - 3/8-16UNCx22
12	P107010010	Motor
13	N201021010	Threaded joint - 1/2"NPSM
14	M302030010	Nut - 1/2"NPSM
15	N201042021	Pressure Switch/Pearl (30-50PSI)
16	N201061040	Tube Kit - 1/4"NPT
17	N202030030	Gasket
18	N205010020	Pump Base
19	N202010010	Seal Ring
20	H402051010	Mechanical Seal
21	N204040050	Impeller

# IRONJET

## Shallow Well Jet Water Pumps



### Parts Designation IRONJ 15



1	N201011010	Pipe Plug - 1/4"NPT
2	N203020030	Pump Body
3	N201011020	1/2"NPT Pipe Plug
4	N204051060	Nozzle
5	N204052080	Venturi
6	M201033021	Pan Head Bolts - M6*20
7	N204030030	Diffuser
8	N202020030	Seal Ring
9	M103063010	Hexagon Bolt - M12x30
10	N203010021	Motor Bracket

11	M103113020	Hexagon bolt - 3/8-16UNCx22
12	P107010020	Motor
13	N201021010	Threaded joint - 1/2"NPSM
14	M302030010	Nut - 1/2"NPSM
15	N201042022	Pressure Switch/Pearl (30-50PSI)
16	N201061060	Tube Kit - 1/4"NPT
17	N202030030	Gasket
18	N205010020	Pump Base
19	N202010010	Seal Ring
20	H402051010	Mechanical Seal
21	N204040060	Impeller