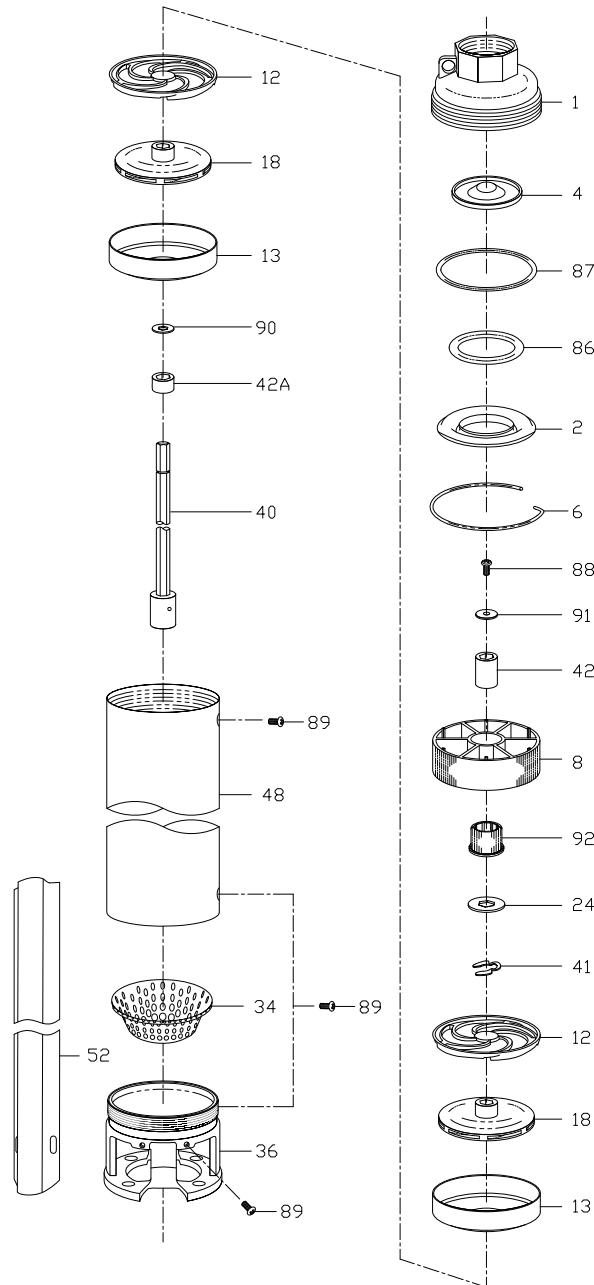


4PWP 4" Submersible Pumps



Parts Designation

4PWP05G05H-07-10



1. Discharge
2. Valve casing
4. Valve cone
6. Valve retaining ring
8. Upper bearing ring
10. Bearing spider
12. Diffuser
13. Bowl
18. Impeller
24. Stop ring
34. Strainer
36. Suction interconnector
40. Pump shaft / Coupling
41. Shaft retaining ring
42. Shaft sleeve
- 42A. Shaft sleeve
48. Casing
52. Cable guard
86. O-ring
87. O-ring
88. Screw
89. Screw
90. Washer
91. Washer
92. Bearing

04/26/2013